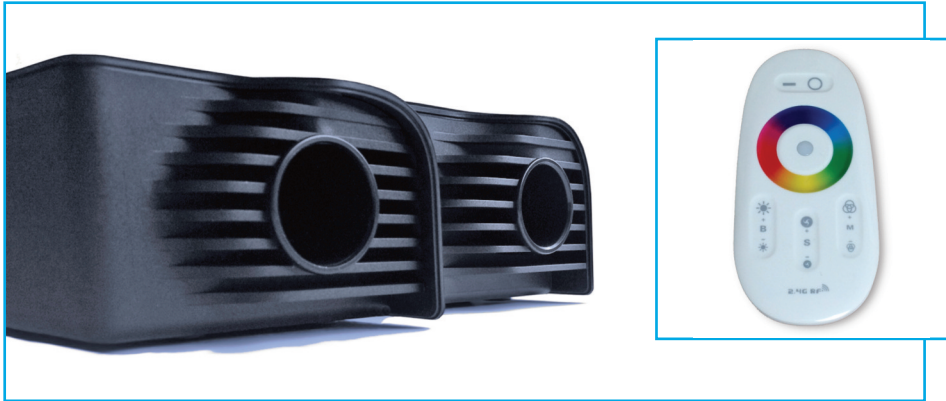


MicroLED 4000P Lightsource



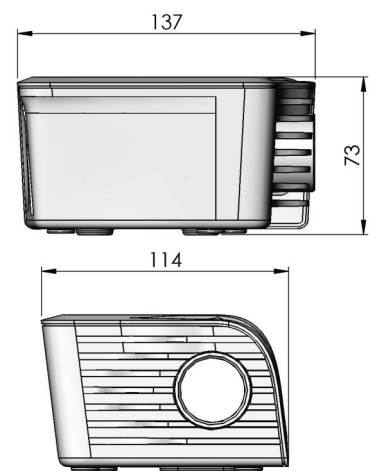
The UFO MicroLED 4000P light source is a powerful, yet efficient fibre optic light source, powered by LED technology and controlled by an advanced RF remote control which features a multi-colour touch wheel allowing you to instantly switch to almost any colour imaginable.

The light source remote control also gives the ability to start and stop colour cycling on any colour. It also features in-built synchronisation with the ability to control more than one unit with the same remote control.

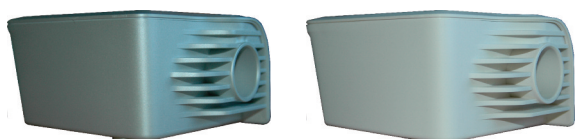
Manufactured from durable ABS and available in a choice of 3 colours - black, white and silver.

Suitable for use in multiple applications, including:

- Sensory harnesses & systems
- Colour change downlight systems
- Colour change sparkle ceiling
- Fibre optic sideglow illumination



| Description | |
|--------------------------|--|
| Port connector size | 30mm diameter |
| Fibre type | Glass/Polymer |
| Max no. of fibre tails | 900 x 0.75mm |
| Supply voltage | 110VAC 60Hz / 230 VAC 50 Hz |
| Power supply | External 12V PSU |
| Power consumption | 2-5W in colour cycle mode |
| Min. ambient temperature | -10°C |
| Max. ambient temperature | 45°C |
| Operating environment | Indoor / dry |
| Material | ABS |
| Colour | Black / White / Silver |
| Size | 137mm (L) x 114mm (W) x 73mm (H) |
| Order Code | MICROLED-4000P-B / MICROLED-4000P-W / MICROLED-4000P-S |



Like all our range, this light source is undergoing constant improvements and upgrades, so we reserve the right to alter specifications as required.

UL approval for this model is currently being processed.