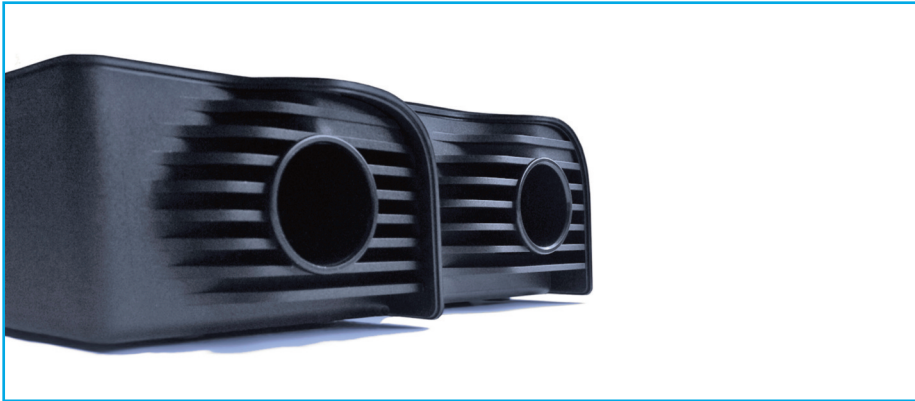


## MicroLED 100T Lightsource

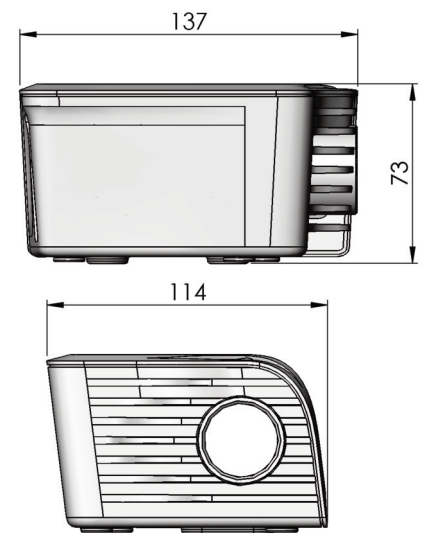


A small, silent fibre optic light source powered by LED technology.

Manufactured from durable ABS, this range is available in a choice of 3 colours - black, white or silver.

The MicroLED 100T utilises a white light LED array and is suitable for use with either glass or PMMA fibre.

An inbuilt twinkle wheel allows for the creation of sparkling light effects.



Description	Details
<b>Port connector size</b>	30mm
<b>Fibre type</b>	Glass/PMMA
<b>Supply voltage</b>	100 - 240V AC, 50/60 Hz
<b>PSU Output</b>	12DC, 1.5A, 18W Maximum
<b>Power Consumption</b>	9W
LED Power	3W
<b>Min Ambient Temperature</b>	-10°C
<b>Max Ambient Temperature</b>	+45°C
<b>Power Connection</b>	2.1 x 5.5 x 12mm
<b>LED Type / Effects</b>	White Light with Twinkle Wheel
<b>LED Life</b>	50,000 hours in ambient 25°C
<b>Operating environment</b>	Indoor / dry
<b>Material</b>	ABS
<b>Size</b>	(L)137mm x(W) 114mm x (H)73mm
<b>Weight with PSU</b>	480.3 g

Like all our range, this light source is undergoing constant improvements and upgrades, so we reserve the right to alter specifications as required.