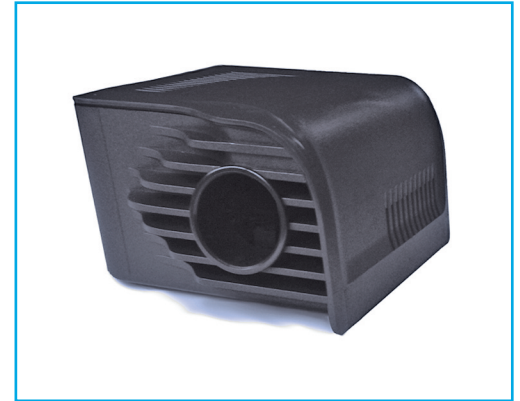
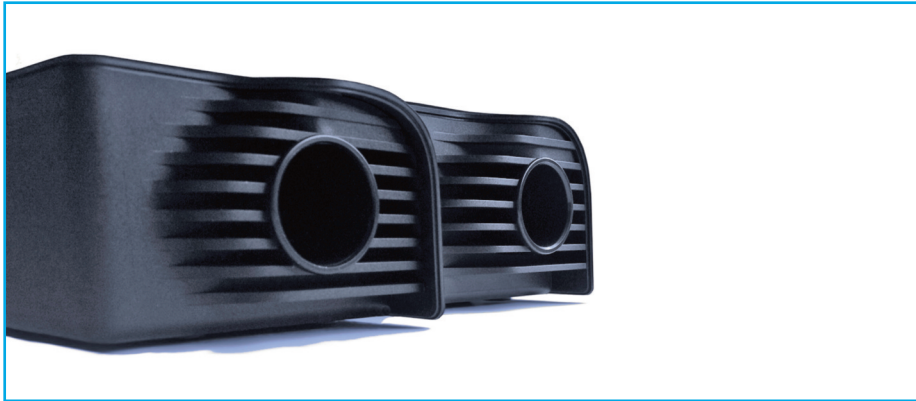


MicroLED 1000P Lightsource



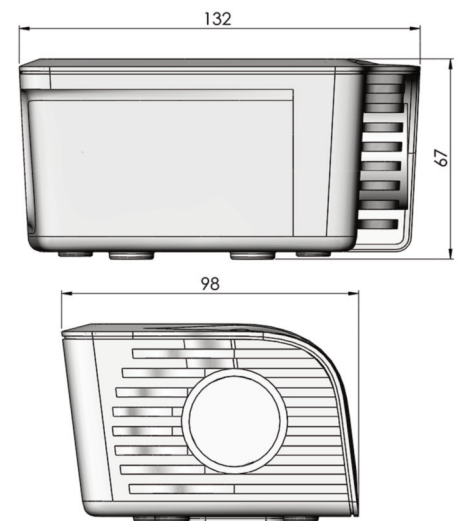
The UFO MicroLED 1000P light source is a powerful, yet efficient fibre optic light source, powered by LED technology.

Manufactured from durable ABS, this unit is available in a choice of 3 colours- black, white or silver.

This LED light source offers complete two-button control over light output, with the ability to stop on the four main colours (white, red, green and blue). It also allows colour cycling at a choice of three speeds through six colours; red, yellow, green, cyan, blue and violet or through the range of seven colours; red, yellow, green, cyan, blue, violet and white.

Suitable for use in multiple applications, including:

- Sensory harnesses & systems
- Colour change downlight systems
- Colour change sparkle ceiling
- Fibre optic sideglow illumination



Description	
Port connector size	30mm diameter
Fibre type	Glass / Polymer
Max no. of fibre tails	900 x 0.75mm
Supply voltage	110VAC 60Hz / 230 VAC 50 Hz
Power supply	External 12V PSU
Power consumption	2-5W in colour cycle mode
Min. ambient temperature	-10°C
Max. ambient temperature	45°C
Operating environment	Indoor / Dry
Material	ABS
Colour	Black / White / Silver
Size	132mm (L) x 98mm (W) x 67mm (H)
Order Code	MICROLED-1000P-B / MICROLED-1000P-W / MICROLED-1000P-S



Like all our range, this light source is undergoing constant improvements and upgrades, so we reserve the right to alter specifications as required.

UL approval for this model is currently being processed.