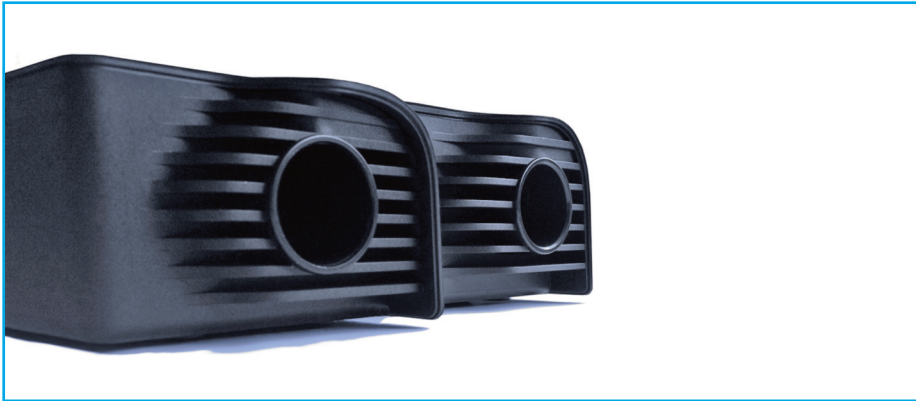


## MicroLED 100 Lightsource

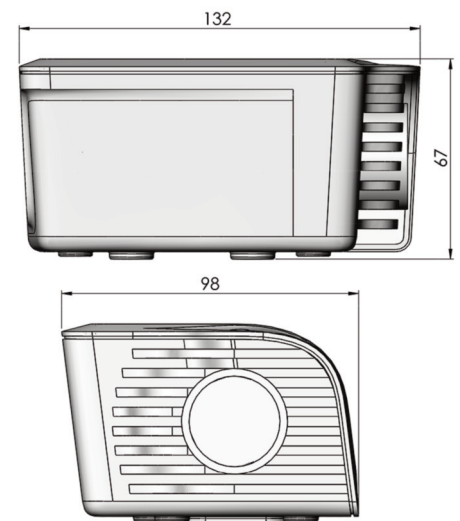


A small, silent fibre optic light source powered by LED technology.

Manufactured from durable ABS, this range is available in a choice of 3 colours - black, white or silver.

The MicroLED 100 utilises a white light LED array and is suitable for use with either glass or PMMA fibre.

Description	Details
Port connector size	30mm
Fibre type	Glass/PMMA
Supply voltage	100 - 240V AC, 50/60 Hz
PSU Output	12DC, 1.5A, 18W Maximum
Power Consumption	3W
LED Power	3W
Min Ambient Temperature	-10°C
Max Ambient Temperature	+45°C
Power Connection	2.1 x 5.5 x 12mm
LED Type / Model	White Light
LED Life	50,000 hours in ambient 25°C
Operating environment	Indoor / dry
Material	ABS
Size	(L)132mm x(W) 98mm x (H) 67mm
Weight with PSU	368.5 g



Like all our range, this light source is undergoing constant improvements and upgrades, so we reserve the right to alter specifications as required.