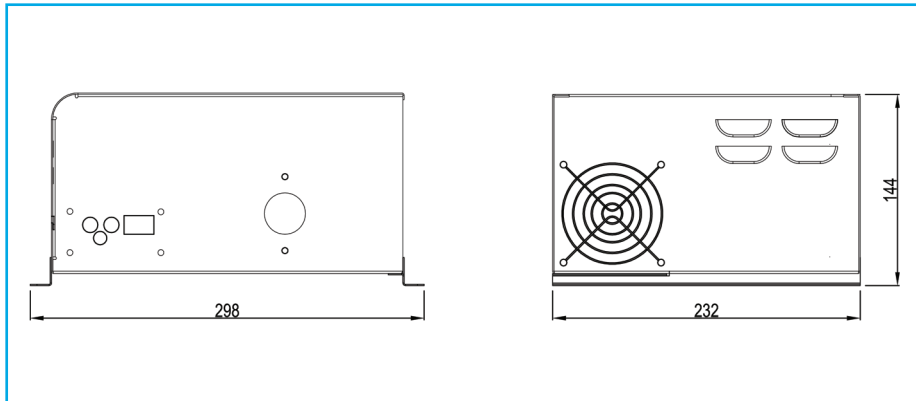


## Compact DMX Metal Halide Lightsource



A low profile light source which uses a 150W metal halide discharge lamp. Featuring full DMX control through either the front mounted controls or using the inbuilt XLR sockets, can be connected to a standalone DMX controller.

This model has a fast re-lamping feature (the lamp is mounted on a pull-out hatch on the rear) and comes fitted with a colour wheel which includes seven colours plus white. Operates from a switched 240V supply to turn unit on and off.

Description	150W
Port connector size	30mm diameter
Fibre type	Glass/Polymer
Supply voltage	240 VAC 50/Hz
Lamp power	150W
Input power	180VA @ 240VAC
Start up current	0.3A (240v)
Running current	0.75A (240V)
Min. ambient temperature	-20°C
Max. ambient temperature	40°C
Thermal protection	Thermal switch
Ballast type	Electronic
Fan type (polymer fibre)	Papst 8550N
Fan type (glass fibre)	Papst 8880N
Main fuse	4 Amp
Lamp type	Metal halide
Lamp model	Philips CDM-SA/T or CDM
Lamp life	c 9000h (SA/T) c. 12000h (CDM)
Lamp colour temperature	4200K(SA/T)/3000k(CDM)
Lamp CRI	95 (SA-T) / 88(CDM)
Control options	DMX, standalone, master/slave
DMX channels	1
Protocol	DMX 512
Colour wheel	Seven colours plus white
Standard colours	Green, blue, yellow, magenta, jade, cyan, orange
Acoustic rating (polymer fibre)	38.0 dB(A)
Acoustic rating (glass fibre)	23.0 dB(A)
Operating environment	Indoor / dry
Protection rating	IP20
Material/Colour	Sheet steel / Black
Size/Weight	298 x 232 x 144mm / 4.4kg

